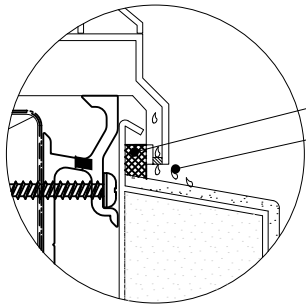
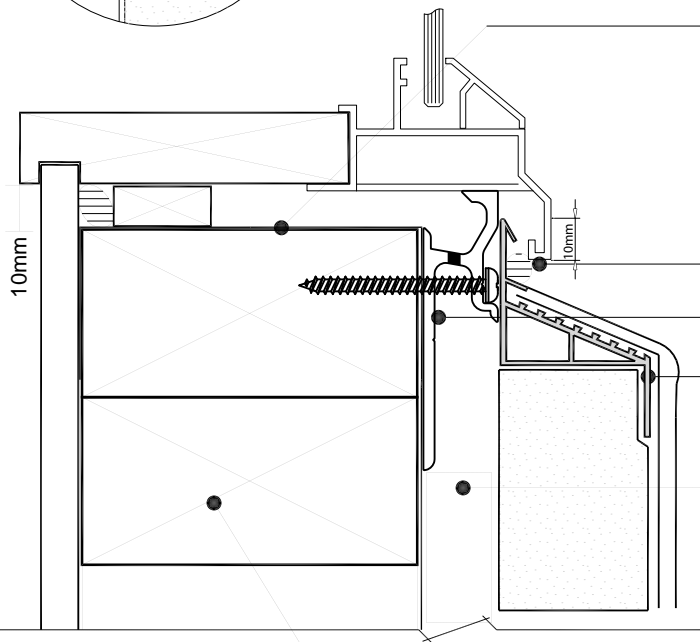


NOTE:
Sill sealing method for flange
end type drainage system



Continuous seal
Keep drainage passage clear



APPROVED PROPRIETARY BREATHER TYPE
BUILDING WRAP MUST BE CONTINUOUS
AROUND FRAMING AND TAPED AT
CORNERS AND ALONG SILL WITH
WATERPROOF MEMBRANE TAPE BY
BUILDER

MS SEALANT

ONLY REQUIRED IF SPECIFIED

GRAPHEX SILL SECTION

CAVITY BATTEN

ALL WINDOWS MUST BE NOGGED
UNDER SILL TRIMMER

NOTE: A 5° SLOPED SILL TRIMMER MUST BE USED IF THE BACK OF THE
GLAZING CHANNEL IS POSITIONED BACK PAST THE LINE OF WALL FRAME

07 RECESSED JOINERY SILL