

ARCHITECTURAL SHAPES AND PROFILES

plaster systems ltd
a Nuplex Group Company

hardcote®

Architectural Shapes and Profiles



hardcote®

Architectural Shapes and Profiles

Hardcote® Architectural Shapes and Profiles provide a traditional sponge finish look-a-like detail, trim or shape, and add style and a distinctive look to your home or business premises.

DETAIL

Hardcote® Architectural Shapes and Profiles are manufactured from high grade polystyrene with a specially modified acrylic coating.

INSTALLATION

Polystyrene can be fabricated in many shapes and sizes. Once detailed and coated the lightweight pieces are easily transported and fixed with ease.

DESIGN FLEXIBILITY

Hardcote® Architectural Shapes and Profiles can be picked straight from our catalogue or custom made to order.

RECOMMENDED USE

- Exterior and Interior
- Cornice Profiles
- Mid Height Bands
- Sill Details
- Cornerstones
- Corbels
- Wall Features
- Columns and Capitals
- Gable Louvres
- Landscaping
- Film Sets and many more

GUARANTEE

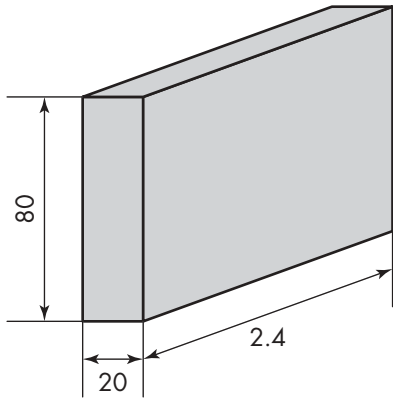
Plaster Systems Ltd is a member of ISO 9002 and as such all Hardcote® Architectural Shapes and Profiles are covered by a Five-Year guarantee, to replace which are found to be faulty due to manufacturing.

Any goods that have been damaged or installed outside of Plaster Systems recommended installation procedures, nor for any background shrinkage or movement, or any other cause beyond our control will not apply to this guarantee.

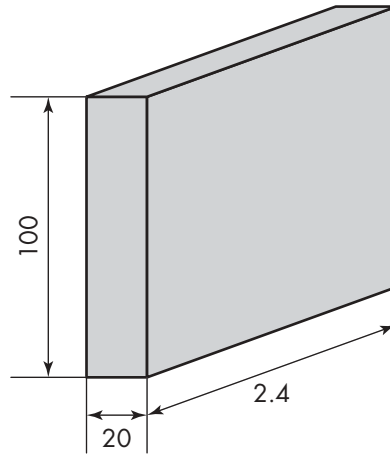
contents

<i>bands</i>	4
<i>sills</i>	5
<i>profiles</i>	6
<i>corner stones</i>	8
<i>cornice</i>	9
<i>louvres</i>	11
<i>column types</i>	12
<i>columns tops and bases</i>	13
<i>keystones</i>	14
<i>corbels</i>	15
<i>general information</i>	16

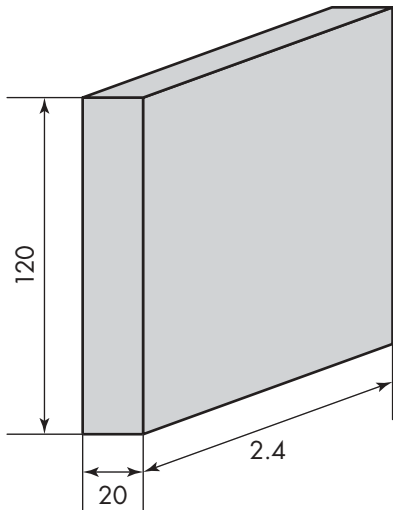
bands



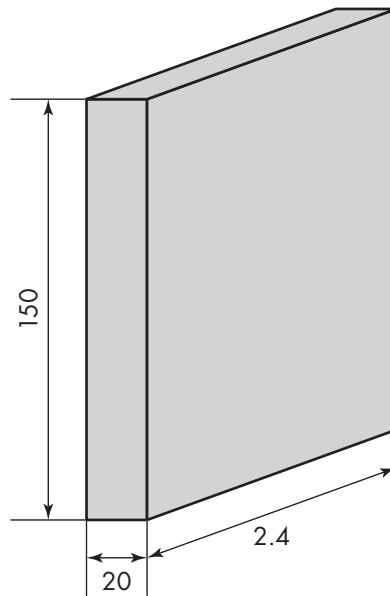
B80/20



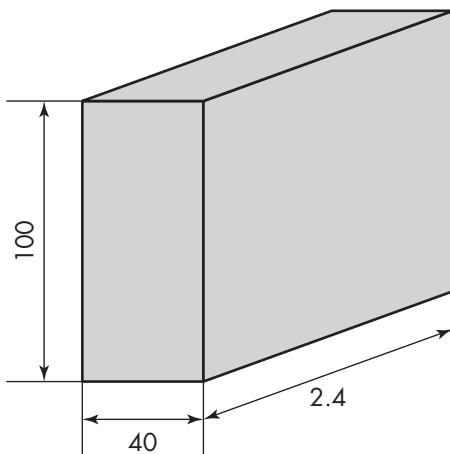
B10/20



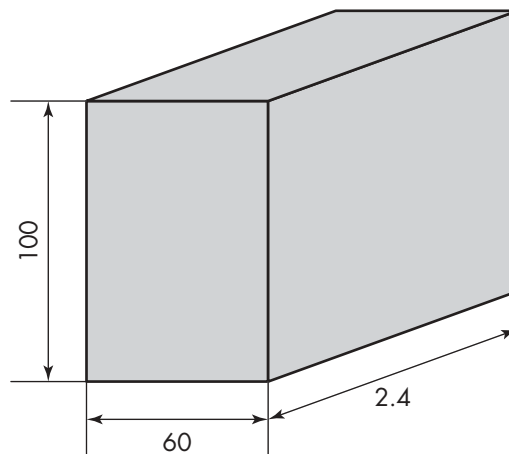
B12/20



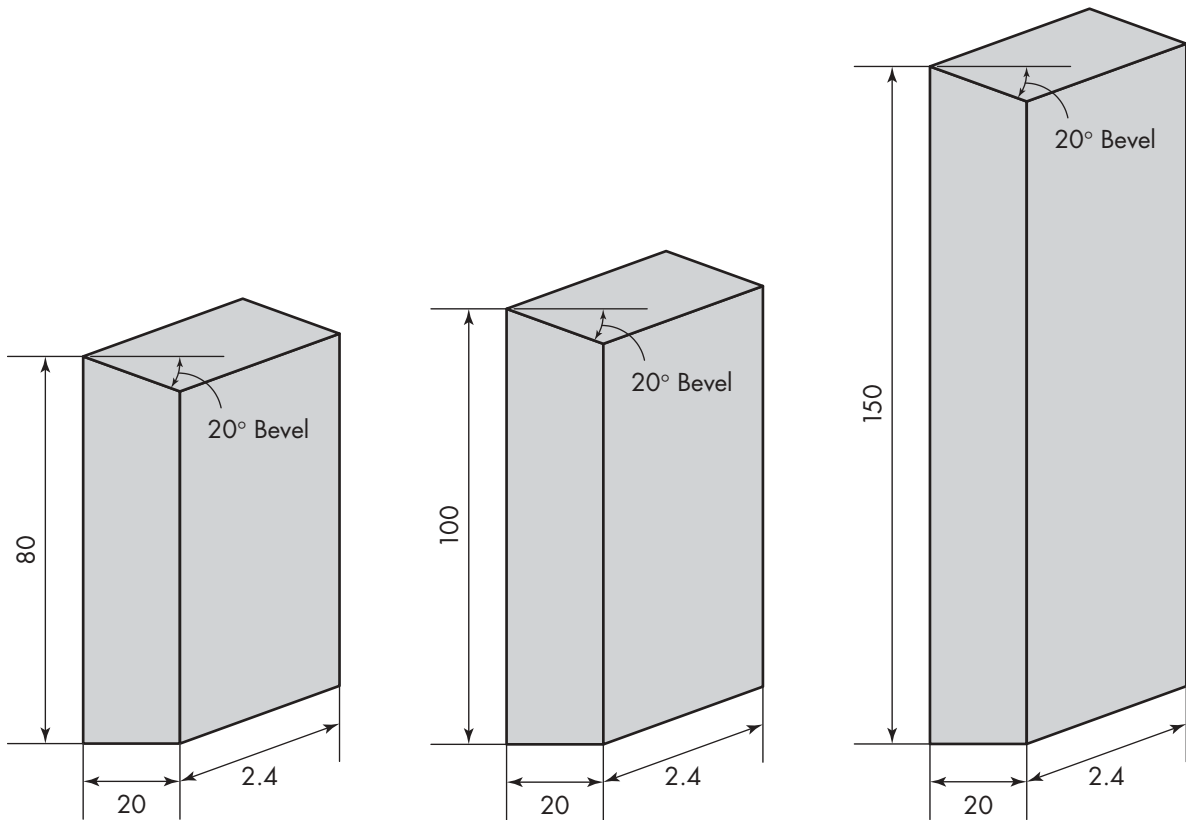
B15/20



B10/40



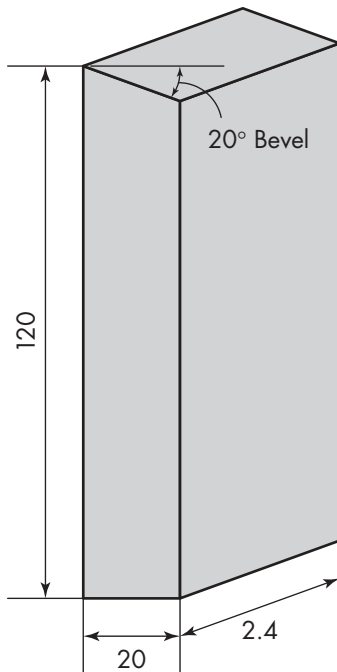
B10/60



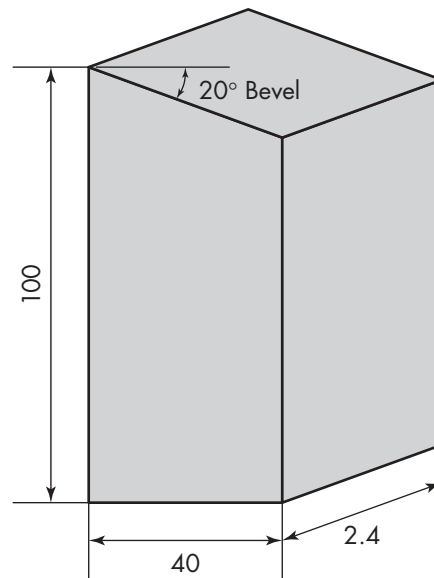
S80/20

S100/20

S150/20

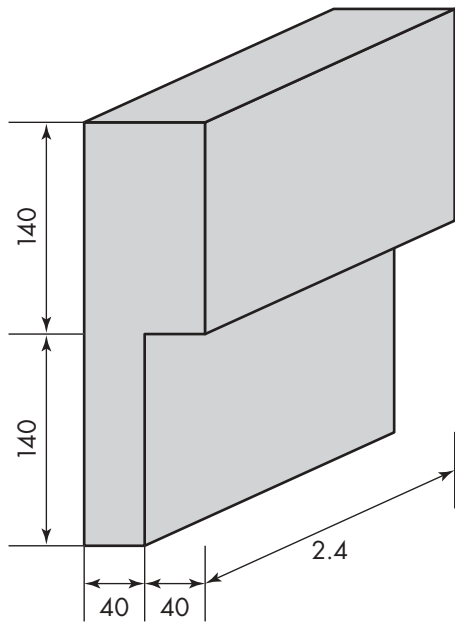


S120/20

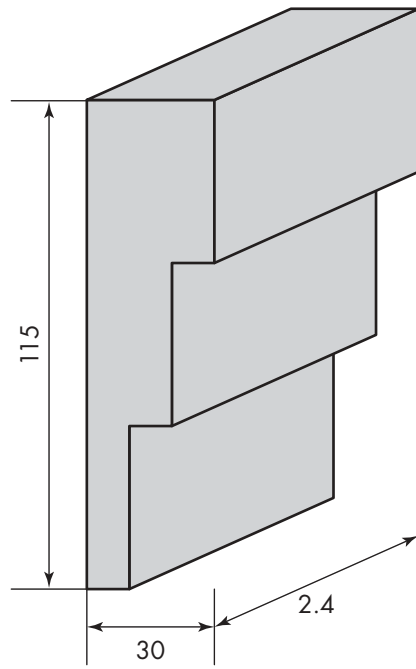


S100/40

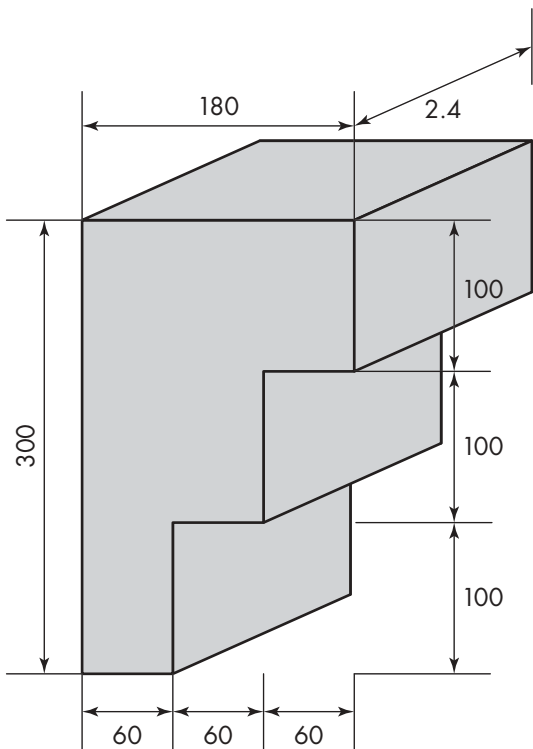
profiles



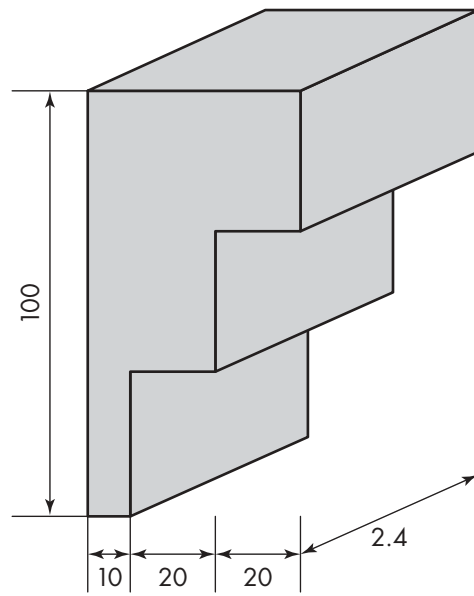
P28/80



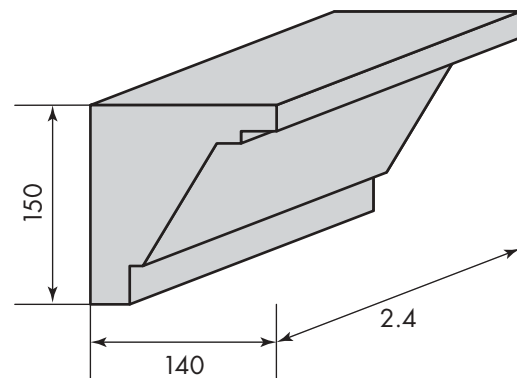
P12/30



P30/12

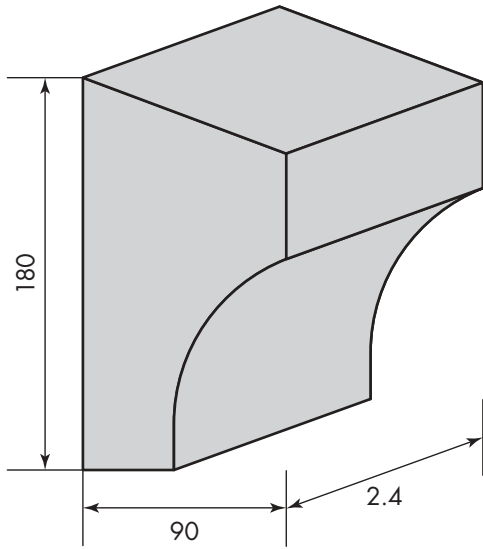


P10/50

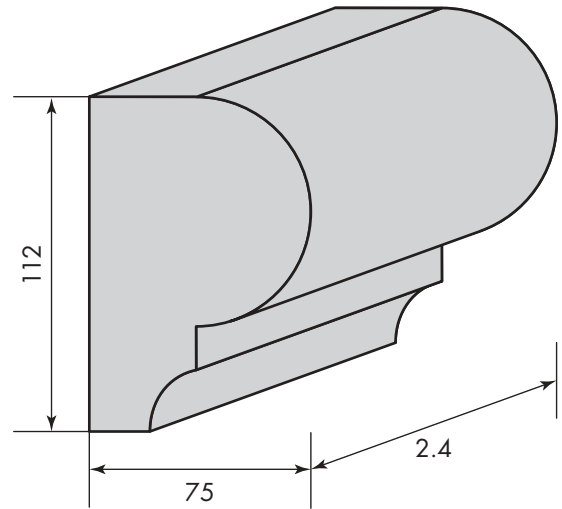


P15/14

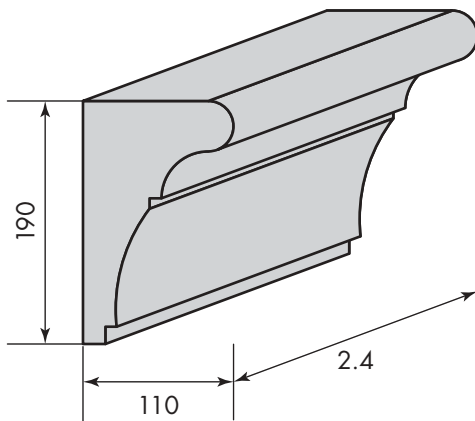
profiles



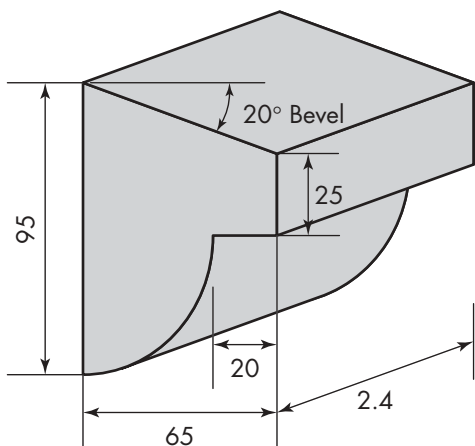
P18/90



P11/75



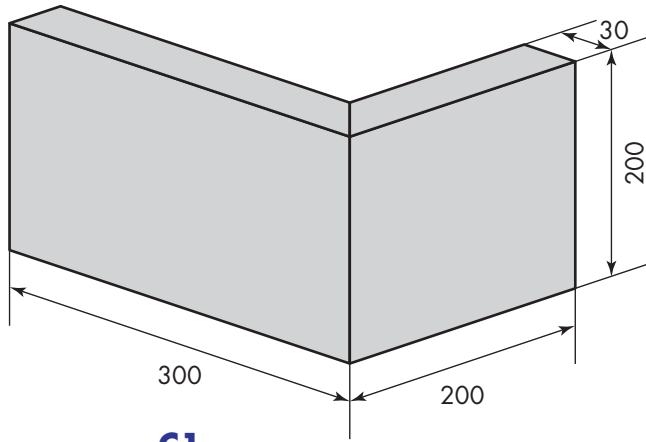
P19/11



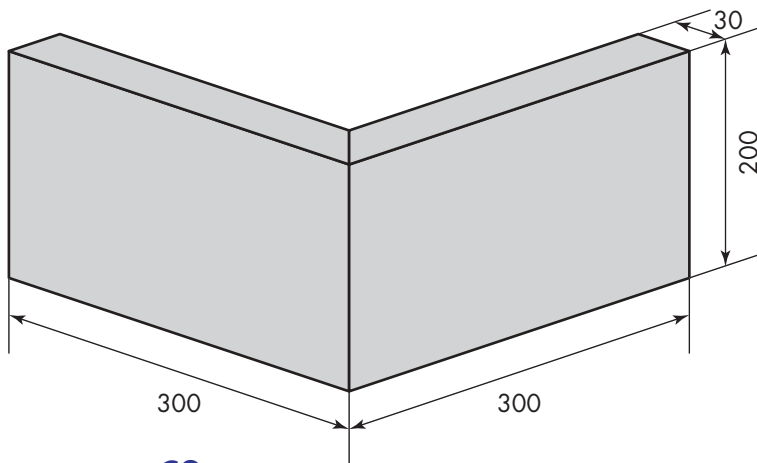
P95/65



corner stones



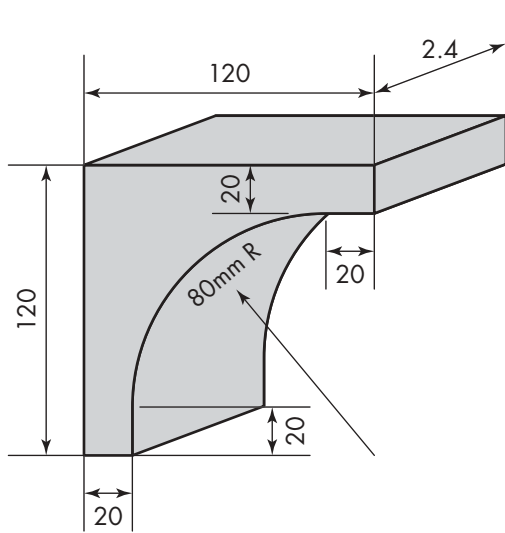
C1



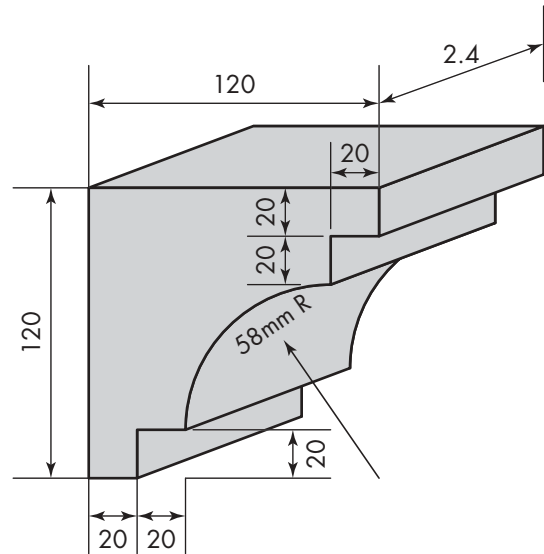
C2

- C3** 200 x 420 x 300 x 30
- C4** 200 x 200 x 200 x 20
- C5** 300 x 300 x 300 x 40

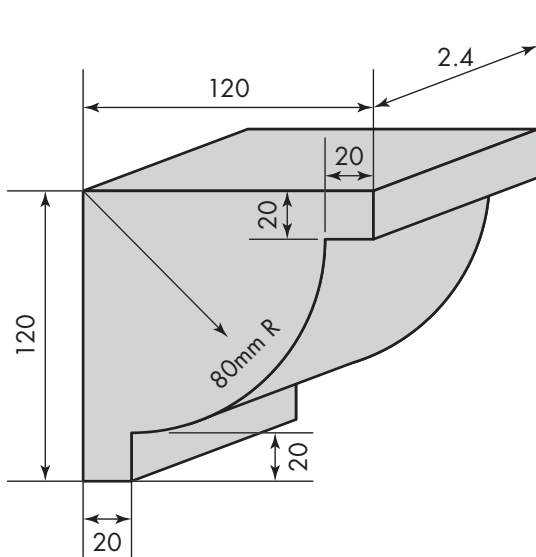
cornice



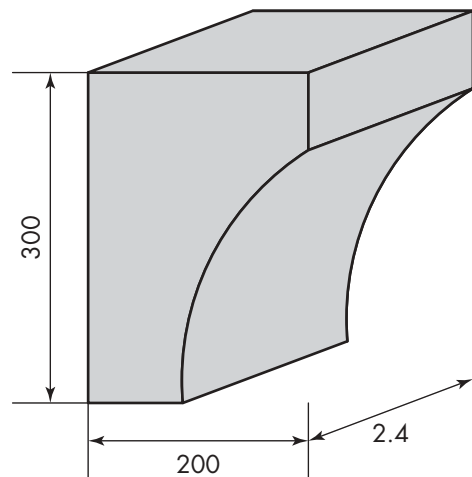
C12/12



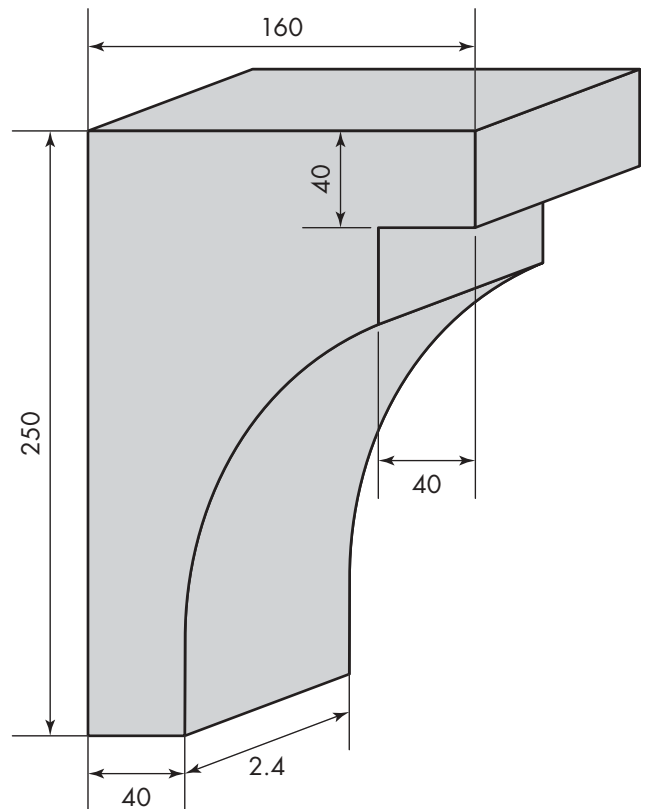
C12/10



C12/08

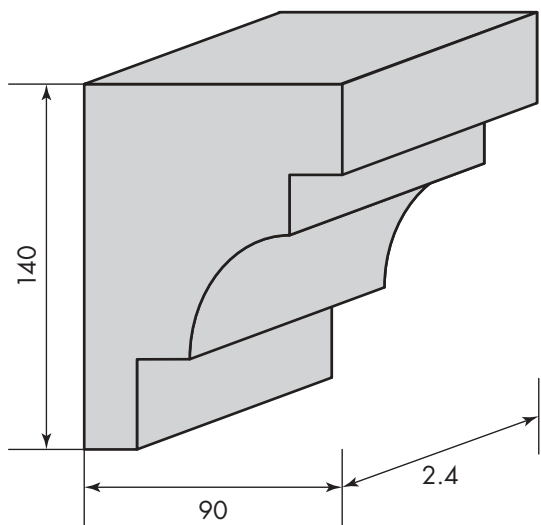


C30/20

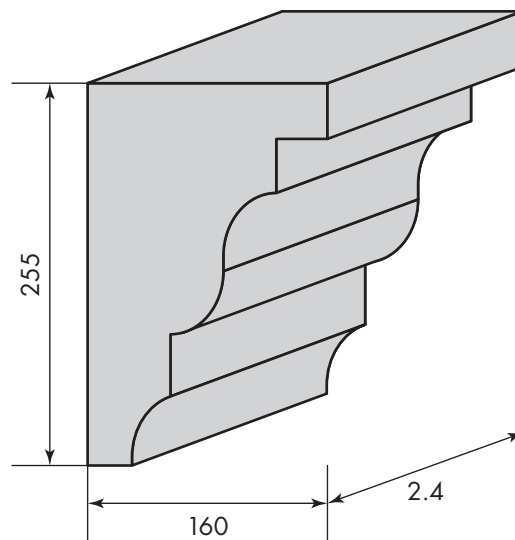


C25/16

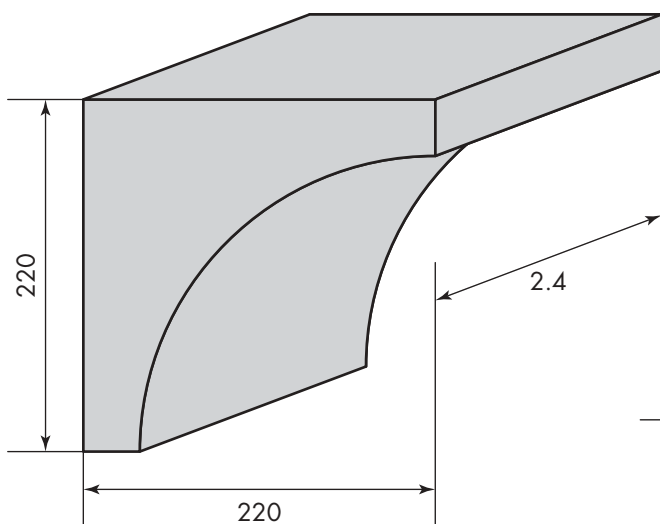
cornice



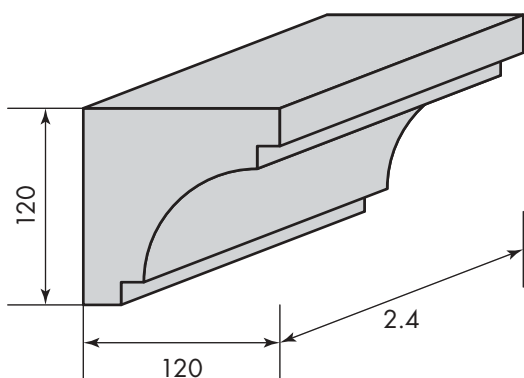
C14/90



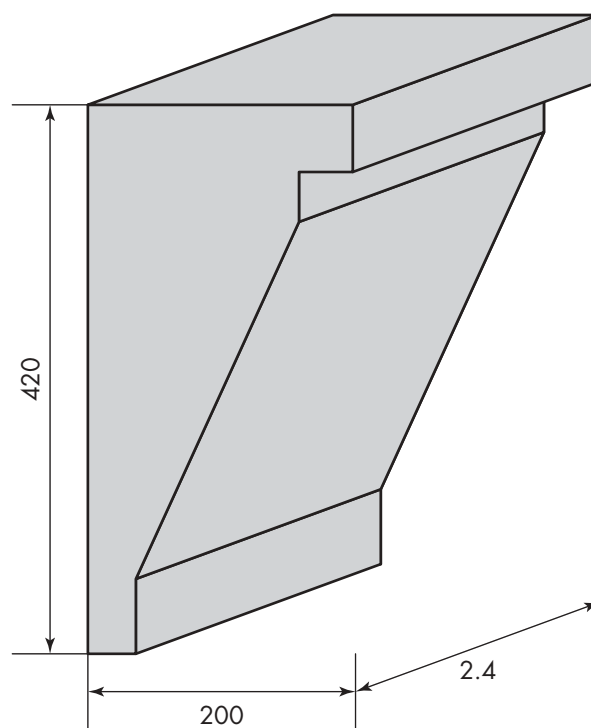
C25/60



C22/22

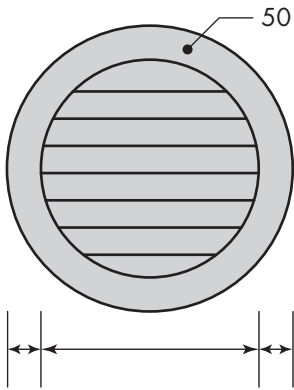


C12/06

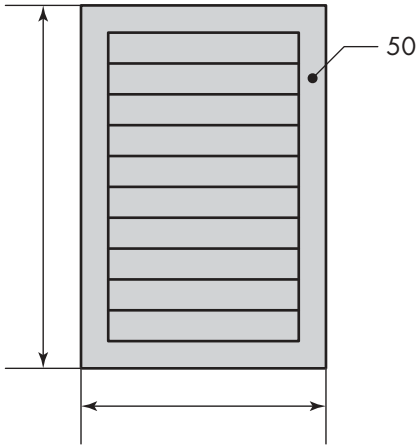


C42/20

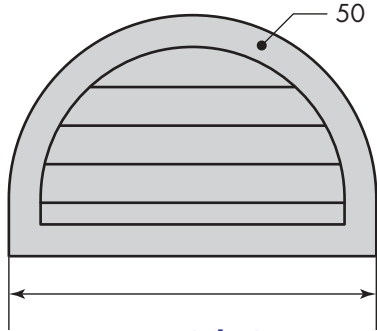
louvres



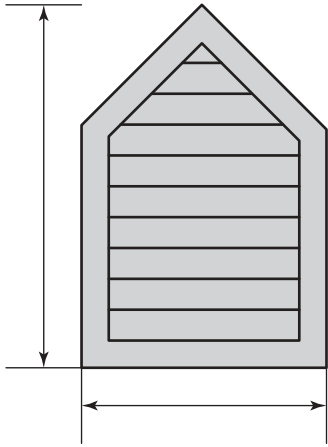
**LR30
LR40
LR50
LR60**



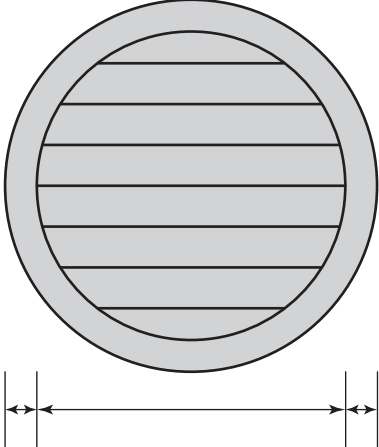
**LS50/30
LS60/40
LS80/40**



**LH40/50
LH60/50**



**LG60/36
LG70/42**

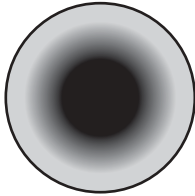


LR70

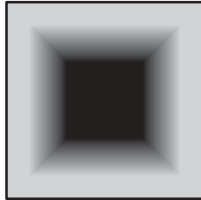
column types

non-structural

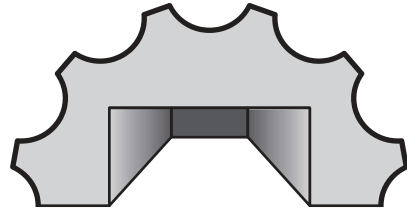
Round



Square



Fluted

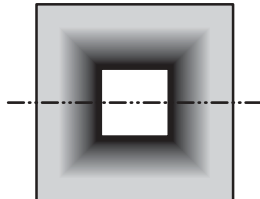
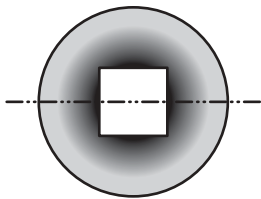


Half Round



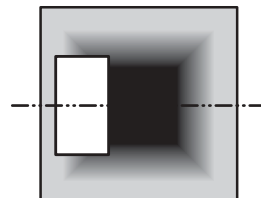
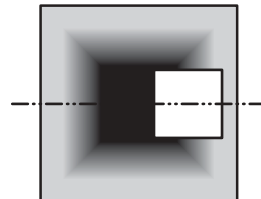
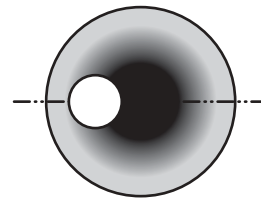
Half Square

structural

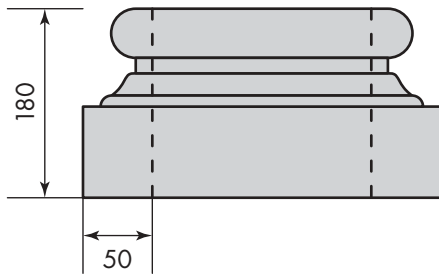


Cut out for timber or steel posts

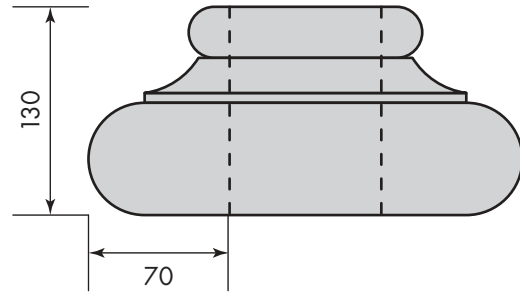
offset



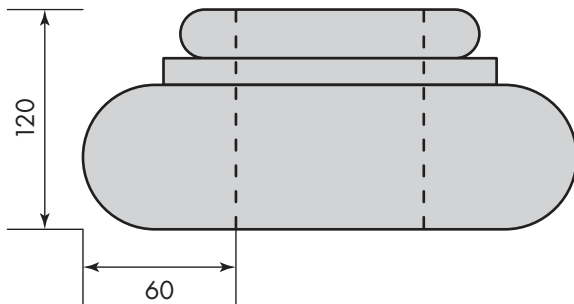
column tops & bases



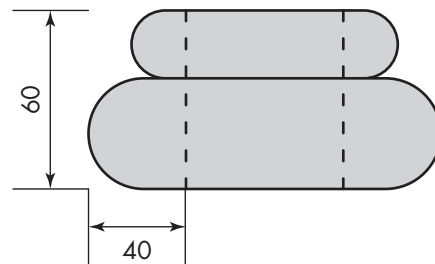
CB101



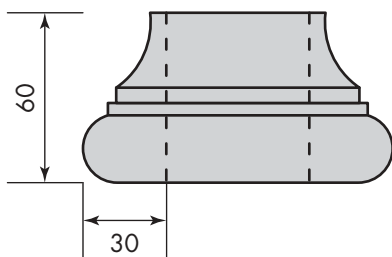
CB105



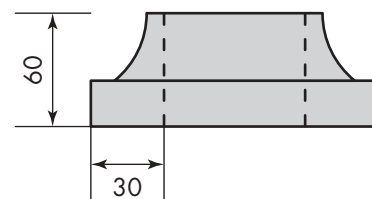
CB110



CB115

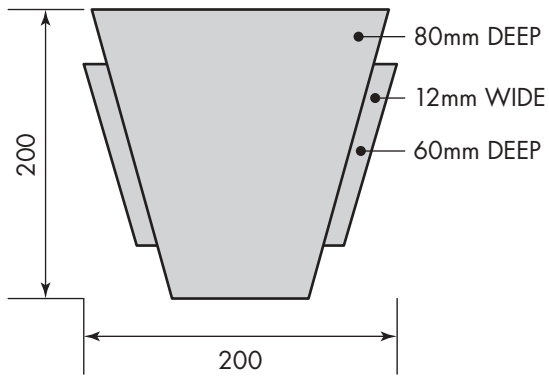


CB120

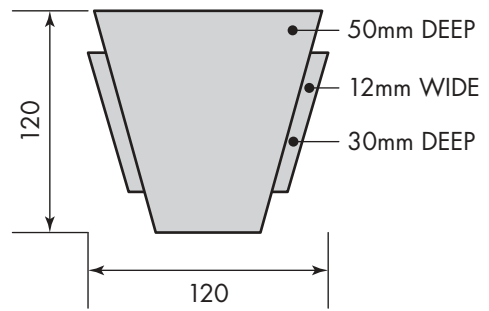


CB125

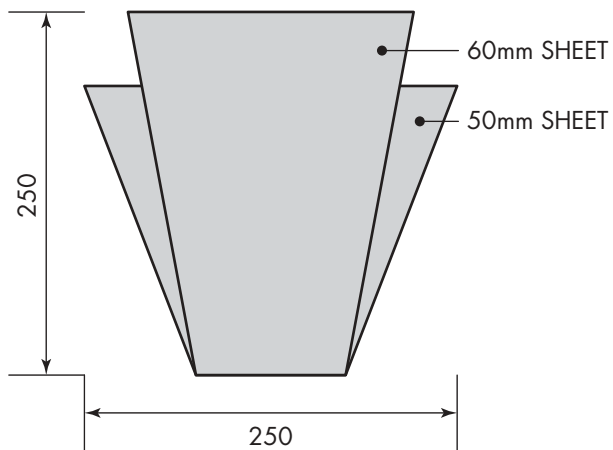
keystones



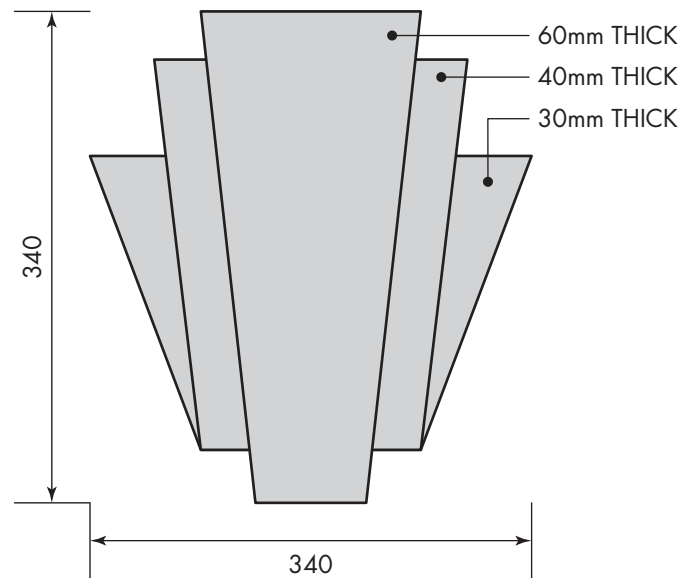
FK005



FK010



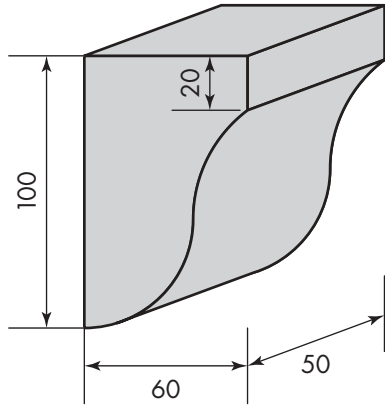
FK015



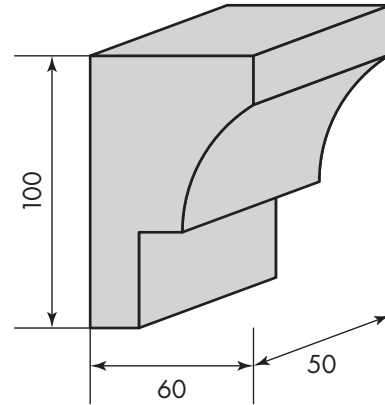
FK015



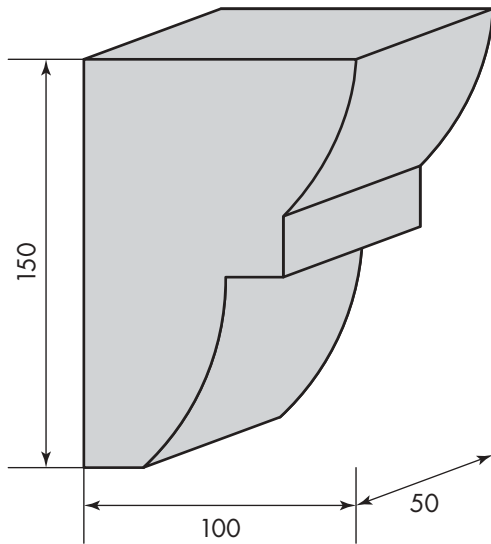
corbels



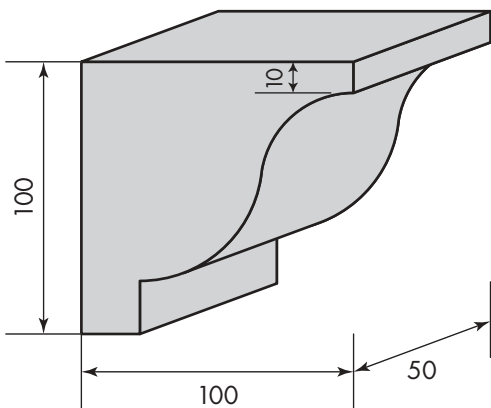
CBL1



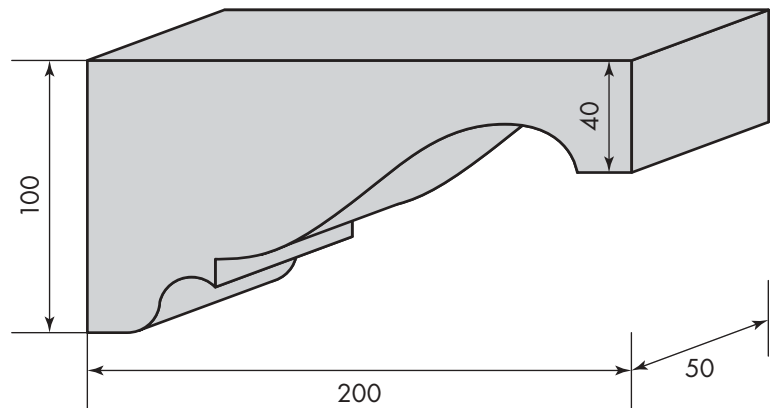
CBL2



CBL3



CBL4



CBL5

general information

- All mouldings in this catalogue can be altered in size or design to suit your needs.
- If you wish to create your own design, a drawing / sketch of shape and size is all that is needed and your profile or shape can be custom made.
- All mid-height bands and profiles, parapet caps, handrails and any other detail where water may pool, **must have a minimum 15 degree bevel to allow water run-off.**
- All moulds come in standard lengths of 2.4m unless otherwise specified up to a desired maximum length of 2.7m.
- A mitre cutting and return mitre service is available if so desired.
- All moulds finished with a sponge finish.
- This product requires 2-3 coats of 100% acrylic paint. Plaster Systems Ltd **insulcote**[®] is ideal.
- When ordering, please specify the profile code and size.
- Please state how many lengths / lineal metres are required.
- Where curved shapes are required, a **radius** or **diameter** and the **height** are necessary.
- Confirmation on sizes is a **must** before production can proceed.
- Once production has commenced, changes / cancellations **can not** be made.
- Cash Sales must be paid in full before production can proceed.
- Recommended fixing materials can be supplied in your quote if required.
- Delivery is free within the greater Auckland region, and can be arranged at competitive prices nation wide.

plaster systems ltd
a Nuplex Group Company

121 Diana Drive, Glenfield.
P O Box 40-130, Auckland, New Zealand.
Phone (09) 444-6440. Fax: (09) 444-9561.
Toll Free: 0800 11 44 00.